

KENWOOD

CD-RECEIVER

KDC-8005

KDC-7005

KDC-6005

CD TUNER

KDC-PS905

INSTRUCTION MANUAL

KENWOOD CORPORATION

Take the time to read through this instruction manual. Familiarity with installation and operation procedures will help you obtain the best performance from your new CD-receiver/CD tuner.

For your records

Record the serial number, found on the back of the unit, in the spaces designated on the warranty card, and in the space provided below. Refer to the model and serial numbers whenever you call upon your KENWOOD dealer for information or service on the product.

Model KDC-8005/7005/6005/PS905 Serial number _____

©PRINTED IN JAPAN B64-0732-00 (K) (MC)
'96/12 11 10 9 8 7 6 5 4 3 2 1 '95/12 11

COMPACT
disc
DIGITAL AUDIO

Contents

Before use

Warning	3
Safety Precautions	4
Handling Compact Discs	7
Features	8

Basic operations

Power	12
Volume	12
Attenuator	13
Loudness	13
Attenuator Gain Selection	13

Basic operations of remote.....14

Tuner features

Tuning	16
Station Preset Memory	17
Auto Memory Entry	17
Clean reception System Circuit (CRSC)	17
Frequency Step Setting	18
Direct Access Tuning	19

CD player features

Playing CDs	20
Fast Forwarding and Reversing Disc Play	21
Track Search	21
Track Repeat	21
Random Play	21
Track Scan	22
Direct Track Search	23

Disc changer control features

Playing Discs Using a Disc Changer	24
--	----

Fast Forwarding and Reversing Disc Play	25
Switching Display for Discs	25
Track Search	25
Disc Search	26
Track/Disc Repeat	27
Track Scan	27
Direct Track Search	28
Direct Disc Search	29
Disc Scan	30
Random Play	31
Magazine Random Play	31
Presetting Disc Names	32

Other features

Audio Control Setting	34
Selectable Illumination	36
Display Type	37
Switching Preout	37
Non-Fading Preout	37
Clock Display	38
Adjusting Time	38
Disabled System Indicator (DSI)	38
Output Voltage Selection	39
Theft Deterrent Faceplate	39

Installation

Accessories	40
Installation Procedure	41
Connecting Wires to Terminals	42
Installation	44

Troubleshooting Guide.....47

Specifications51

▲ Warning

▲ CAUTION

Use of controls or adjustments or performance of procedures other than those specified herein may result in hazardous radiation exposure. In compliance with Federal Regulations, following are reproductions of labels on, or inside the product relating to laser product safety.

KENWOOD CORPORATION
2967-3, ISHIKAWA-CHO,
HACHIOJI-SHI
TOKYO, JAPAN

KENWOOD CORP. CERTIFIES THIS EQUIPMENT
CONFORMS TO DHHS REGULATIONS NO.21 CFR
1040. 10, CHAPTER I, SUBCHAPTER J.

Location : Bottom Panel

FCC WARNING

This equipment may generate or use radio frequency energy. Changes or modifications to this equipment may cause harmful interference unless the modifications are expressly approved in the instruction manual. The user could lose the authority to operate this equipment if an unauthorized change or modification is made.

NOTE

This equipment has been tested and found to comply with the limits for a Class B digital device, pursuant to Part 15 of the FCC Rules. These limits are designed to provide reasonable protection against harmful interference in a residential installation. This equipment may cause harmful interference to radio communications, if it is not installed and used in accordance with the instructions. However, there is no guarantee that interference will not occur in a particular installation. If this equipment does cause harmful interference to radio or television reception, which can be determined by turning the equipment off and on, the user is encouraged to try to correct the interference by one or more of the following measures:

- Reorient or relocate the receiving antenna.
- Increase the separation between the equipment and receiver.
- Connect the equipment into an outlet on a circuit different from that to which the receiver is connected.
- Consult the dealer or an experienced radio/TV technician for help.

Before use

Basic operations

Basic operations of remote

Tuner features

CD player features

Disc changer control features

Other features

NOTE

This Class B digital apparatus meets all requirements of the Canadian interference-Causing Equipment Regulations.

Safety precautions

▲WARNING

To prevent injury or fire, take the following precautions:

- Insert the unit all the way in until it is fully locked in place. Otherwise it may fall out of place when jolted.
- When extending the ignition, battery, or ground wires, make sure to use automotive-grade wires or other wires with a diameter of 0.75mm or more to prevent wire deterioration and damage to the wire coating.
- To prevent a short circuit, never put or leave any metallic objects (such as coins or metal tools) inside the unit.
- If the unit starts to emit smoke or strange smells, turn off the power immediately and consult your Kenwood dealer.
- Be careful not to drop the unit or subject it to strong shock.
The unit may break or crack because it contains glass parts.
- Do not touch the liquid crystal fluid if the LCD is damaged or broken due to shock. The liquid crystal fluid may be dangerous to your health or even fatal. If the liquid crystal fluid from the LCD contacts your body or clothing, wash it off with soap immediately.

▲CAUTION

To prevent damage to the machine, take the following precautions:

- Make sure to ground the unit to a negative 12V DC power supply.
- Do not open the top or bottom covers of the unit.
- Do not install the unit in a spot exposed to direct sunlight or excessive heat or humidity. Also avoid places with too much dust or the possibility of water splashing.
- Do not set the removed faceplate or the faceplate case in areas exposed to direct sunlight, excessive heat, or humidity. Also avoid places with too much dust or the possibility of water splashing.
- Do not subject the faceplate to excessive shock, as it is a piece of precision equipment.
- To prevent deterioration, do not touch the terminals of the unit or faceplate with your fingers.
- When replacing a fuse, only use a new one with the prescribed rating. Using a fuse with the wrong rating may cause your unit to malfunction.
- To prevent a short circuit when replacing a fuse, first disconnect the wiring harness.
- Do not use your own screws. Use only the screws provided. If you use the wrong screws, you could damage the unit.

IMPORTANT INFORMATION

You cannot connect the unit directly to the following CD automatic changers. If you want to use older changers with the unit, follow the directions below according to the type of changer you own:

• KDC-C200 / KDC-C300 / KDC-C400

Use the extension cable and the control box attached to the CD changer, and the optional CA-DS100 converter cord.

• KDC-C301 / KDC-C600 / KDC-C800 / KDC-C601 / KDC-C401

Use the extension cable attached to the CD changer, and the optional CA-DS100 converter cord.

• C705i

Use the extension cable attached to the CD changer, and the optional CA-K300 converter cord.

• KDC-C100 / KDC-C302 / C205 / C705 / non-Kenwood CD changers

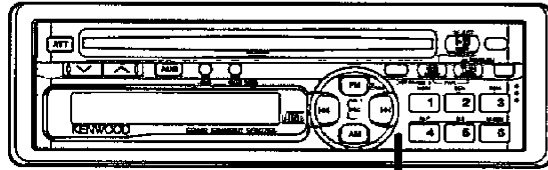
Cannot be used with this model.

▲CAUTION

You can damage both your unit and the CD changer if you connect them incorrectly.

NOTE

- If you experience problems during installation, consult your Kenwood dealer.
- If the unit doesn't seem to be working right, try pressing the reset button first. If that does not fix the problem, consult your Kenwood dealer.



Reset button

Cleaning the Unit

If the front panel gets dirty, turn off the power and wipe the panel with a dry silicon cloth or soft cloth.

CAUTION

Do not wipe the panel with a hard cloth or a cloth dampened by volatile solvents such as paint thinner and alcohol. They can scratch the surface of the panel and/or cause the indicator letters to peel off.

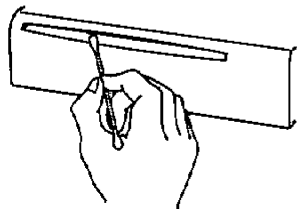
Cleaning the Faceplate Terminals

If the terminals on the unit or faceplate get dirty, wipe them with a dry, soft cloth.

Safety precautions

Cleaning the CD Slot

As dust tends to accumulate in the CD slot, clean it every once in a while. Your CDs can get scratched if you put them in a dusty CD slot.



Lens Fogging

Right after you turn on the car heater in cold weather, dew or condensation may form on the lens in the CD player of the unit. Called lens fogging, CDs may be impossible to play. In such a situation, remove the disc and wait for the condensation to evaporate. If the unit still does not operate normally after a while, consult your Kenwood dealer.

Protecting the Unit from Heat

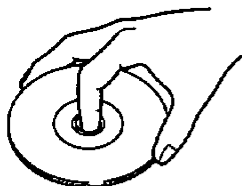
- The interior of your car can get quite hot when the windows are left shut and the sun shines directly on the car. When it gets hotter than 60°C (140°F) inside, a protective circuit in the unit will activate, "HOLD" is displayed and any CD will stop playing. In such a situation, open the windows or turn on the air conditioner to reduce the temperature inside the car. When the "HOLD" message disappears, you can listen to your CD again.

Handling Compact Discs

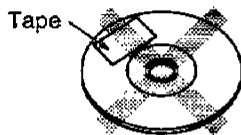
Playing a CD that is dirty, scratched, or warped can cause the sound to skip and the unit to operate incorrectly, resulting in worsened sound quality. Take the following precautions to prevent your CDs from getting scratched or damaged.

Handling CDs

- Do not touch the recorded side of the CD (the side opposite the label) when holding it.



- Do not stick tape on either side of the CD.

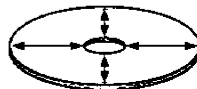


Storing CDs

- Do not store CDs in areas exposed to direct sunlight (such as a car seat or the dashboard) or other hot places.
- Remove CDs from the unit when not listening to them for a while, and put them back in their cases. Do not pile up CDs that are removed from their cases or prop them against something.

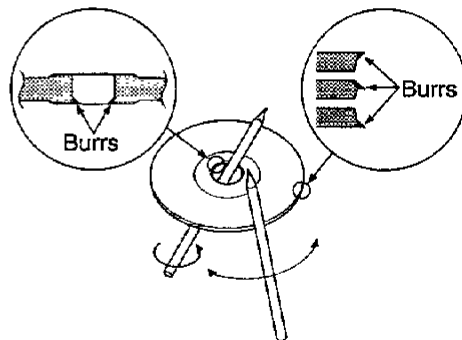
Cleaning CDs

If a CD has gotten dirty, wipe it off gently using a commercially available cleaning cloth or a soft cotton cloth, starting from the center of the disc and moving outward. Do not clean CDs with conventional record cleaners, anti-static formulas, or chemicals such as paint thinner or benzene.



Checking New CDs for Burrs

When playing a new CD for the first time, check that there are not any burrs stuck to the perimeter of the disc or in the central hole. CDs with burrs stuck on them may not load properly or may skip while playing. Remove burrs using a ballpoint pen or a similar utensil.



Do Not Load CD Accessories

Do not use commercially available CD accessories that can be loaded into the CD slot, such as stabilizers, protective sheets, or CD cleaning discs, since they can cause the unit to malfunction.

CAUTION

• Do Not Load 3-in. CDs in the CD slot

If you try to load a 3 in. CD with its adapter into the unit, the adapter might separate from the CD and damage the unit.

• Do Not Use Dirty CDs or CDs Colored on the Data Side

If you try to play CDs that are colored on the recorded side (the side opposite the label), or CDs that are dirty, the CD may fail to slide in or out.

■ Tuner

- **Auto seek tuning (p. 16)**
Conducts automatic seeks of receivable stations. Useful when you do not know the frequencies of particular stations.
- **Station preset memory (p. 17)**
Stores the frequency of the station currently being listened to. You can then recall that station with a single touch of a button. Useful for stations that you listen to often.
- **Auto memory entry (p. 17)**
Automatically stores all the receivable stations in the band currently being listened to. You can then recall those stations with a single touch of a button. Useful when you do not know the stations in the area in which you are traveling. Up to six stations can be stored with this function.
- **Direct access tuning (Function of remote) (p. 19)**
When you know the frequency of the station that you want to listen to, you can input it directly for quick access.
- **Clean Reception System Circuit (CRSC) (p. 17)**
When poor stereo reception occurs while you are listening to the FM station, this function temporarily switches from stereo to mono reception to reduce the level of noise.
- **Switching frequency steps (Function of the KDC-PS905) (p. 18)**
Switches the frequency step used in seeks (FM: 200kHz and 50kHz; AM: 10kHz and 9kHz).

■ CD player

- **Track search (p. 21)**
Moves (forward or reverse) by one track each time the button (▶▶| or |◀◀) is pressed, and plays that track from the beginning.
- **Direct track search (Function of remote) (p. 23)**
Using the number buttons on the remote, you can select the track number that you want to listen to.
- **Track repeat (p. 21)**
Repeatedly plays the track currently being listened to.
- **Track scan (p. 22)**
Plays the first few seconds of each track on the CD, helping you find the track that you want to listen to.
- **Random play (p. 21)**
Plays all the tracks on the CD in random order.

■ Disc changer control (changer optional)

- **Disc changer control (p. 24)**
Allows control of the disc changer (when attached) from the unit.
- **Disc changer switching unit control function (p. 24)**
If the disc changer switching unit KCA-S200 which is sold separately is connected for the control function, two disc changers can be controlled by the main unit.
- **Track / Disc search (p. 25,26)**
Moves (forward or reverse) one track/disc each time the button is pressed, and plays that track/disc from the beginning.
- **Direct track/disc search (Function of remote) (p. 28,29)**
Using the number buttons on the remote, you can directly select the track number (or disc number) that you want to listen to.
- **Track repeat function (p. 27)**
Repeats the track currently being listened to.
- **Disc repeat function (p. 27)**
Repeats the entire disc currently being listened to.
- **Track scan function (p. 27)**
Successively plays the beginning of each track on the disc, allowing you to find the track that you want to listen to.
- **Disc scan function (p. 30)**
Successively plays the beginning of each track of each disc, allowing you to find the track that you want to listen to.
- **Random play function (p. 31)**
Plays all the tracks on the disc in random order.
- **Magazine random play function (p. 31)**
Plays tracks from all the discs in random order.
- **Presetting disc name (p. 32)**
You can give names to your discs. The name of the disc being played appears in the display automatically.

Features

■ Other

- **Remote (p. 14)**
Allows wireless remote control of the unit. (Included with KDC-8005/PS905, optional for KDC-7005/6005).
- **Steering wheel remote (option)**
Allows remote control of the unit while your hands are on the steering wheel.
- **Attenuator (p. 13)**
Turns down the volume quickly.
- **Attenuator gain selection (Function of the KDC-PS905) (p. 13)**
Switches the attenuator gain between -20 dB and -60 dB. Choose -60 dB for the attenuator gain when using amps with large output, as the -20 dB setting will result in incomplete attenuation.
- **Loudness control (p. 13)**
Amplifies low and high tones when the volume is turned down, for fuller sound quality.
- **Audio control setting (p. 34)**
Allows for adjustment of bass, treble, balance, fader, and non-fading preout levels.
- **Selectable illumination (Function of the KDC-7005) (p. 36)**
Switches the color of the display between green and amber.
- **Selectable illumination (Function of the KDC-8005/PS905) (p. 36)**
Switches the display between green, amber (orange), and "light off" (no display). The "light off" selection reduces noise.
- **Selectable display type (Function of the KDC-8005/7005/PS905) (p. 37)**
Switches the display among three choices: positive, negative, and one dependent on your car's light switch.
- **Clock display (p. 38)**
Displays the time.
- **Theft deterrent faceplate (p. 39)**
The faceplate of the unit can be detached and taken with you as you leave the car, in order to deter theft.
- **Disabled system indicator (DSI) (p. 38)**
When this function is turned on, a red indicator will flash on the unit after the faceplate is removed, making it appear as if you have a security system operating in your car, warning potential thieves.

- **Switching preout (Function of the KDC-8005) (p. 37)**

The front preout can be switched to non-fading, allowing for independent adjustment of the volume settings. When you select non-fading, the high-pass filter is automatically applied to the front and rear output, making this function convenient when using a sub-woofer connected to the system.

- **Switching preout (Function of the KDC-7005/6005) (p. 37)**

The front preout can be switched to non-fading. When you select non-fading, the high-pass filter is automatically applied to the front and rear output, making this function convenient when using a sub-woofer connected to the system.

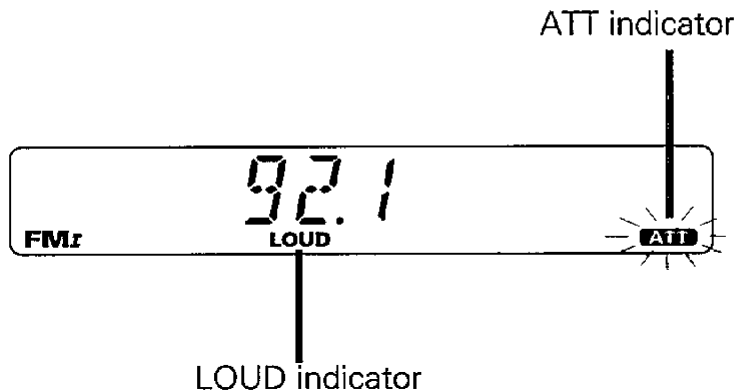
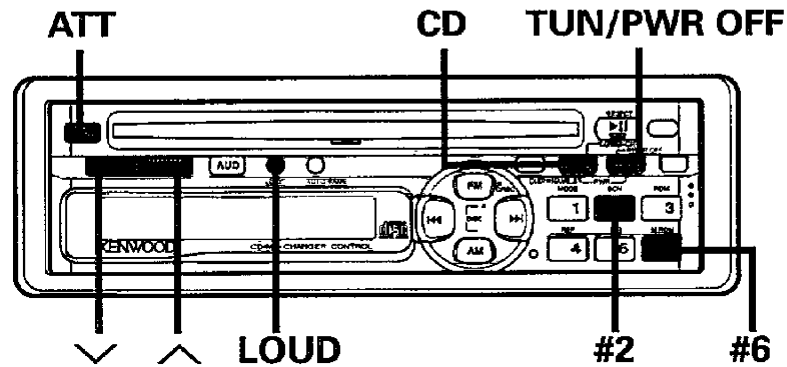
- **Non-fading preout On/Off (Function of the KDC-PS905/8005) (p. 37)**

The non-fading sound output can be set to either ON or OFF.

- **Output voltage selection (Function of the KDC-PS905) (p. 39)**

Switches the output voltage from the output terminal between high and low.

Basic operations



Power

Turning on the power:

Press either the CD or TUN button.

NOTE

Turn the power on before completing the following procedures.

Turning off the power:

Press the PWR OFF button for at least one second.

Selecting standby mode:

Press the TUN button repeatedly and switch to "ALL OFF." When "ALL OFF" is displayed, the standby mode is activated. The standby mode turns all functions off while leaving the power to the unit on. Use this mode when you want to have the display illuminated but don't want to listen to anything.

Volume

Increasing Volume:

Press the ^ button to turn up the volume.

Decreasing Volume:

Press the v button to turn down the volume.

Attenuator

This function allows you to turn down the volume quickly.

Turning Attenuator On/Off:

Press the ATT button to switch the attenuator on and off. When the attenuator is on, the ATT indicator blinks. When the attenuator is off, the volume returns to the original level.

NOTE

Turning the volume all the way down deactivates the attenuator function.

Function of the KDC-PS905

Attenuator Gain Selection

The attenuator gain can be switched to either -20dB or -60dB.

- 1** Turn the power for this unit OFF.
- 2** While pressing the #2 and #6 buttons, press the TUN button. The gain of the attenuator function switches to -60dB.

Returning to the original attenuator gain:

Repeat steps 1 and 2.
The gain of the attenuator function returns to -20dB.

Loudness

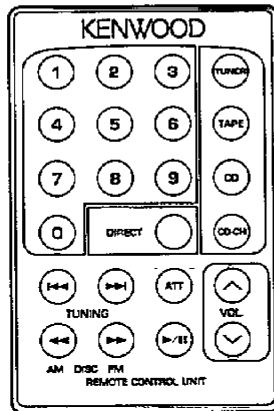
This function amplifies low and high tones when the volume is turned down.

Turning Loudness On/Off:

Press the LOUD button to switch the loudness on and off. The LOUD indicator lights up when the loudness function is on.

Basic operations of remote

Optional for the KDC-7005/6005



Replacing the Lithium Battery:

Use one lithium battery (CR2025).
Insert the battery with the + and - poles aligned properly, following the illustration inside the case.

WARNING

Store unused lithium batteries out of the reach of children.
Contact a doctor immediately if the battery is accidentally swallowed.

CAUTION

Do not set the remote on hot places such as above the dashboard.

NOTE

Remove the film from the battery case the first time you use the remote.

All Modes

- **ATT button**
Turns down the volume quickly. To return the volume to its original level, press the button again. Turning the volume all the way down also cancels attenuation.
 - **VOL. buttons**
Press the \wedge button to turn the volume up.
Press the \vee button to turn the volume down.
 - **CD-CH button**
Selects the disc changer mode. When two disc changers are connected to the unit, the disc changer mode will be split into disc changer mode 1 and disc changer mode 2, and each press of this button switches between them.
- NOTE**
- The KCA-S200, which is sold separately, must be used when two disc changer units are connected.
- **CD button**
Selects the CD mode.
 - **TUNER button**
Selects the tuner mode. Pressing this button again selects the standby mode.

Tuner Mode

- **Number buttons**
Press buttons #1-6 to recall preset stations. During direct access tuning, use these buttons to input the frequency of the station.
- **TUNING buttons**
Press the **◀◀** button to decrease the frequency.
Press the **▶▶** button to increase the frequency.
- **AM button**
Selects the AM band.
- **FM button**
Selects and switches between FM1, FM2, and FM3 (which are used for groups of preset stations).
- **DIRECT button**
Selects the direct access tuning mode, used to input frequencies directly. Press this button again to cancel the mode while it is operating.

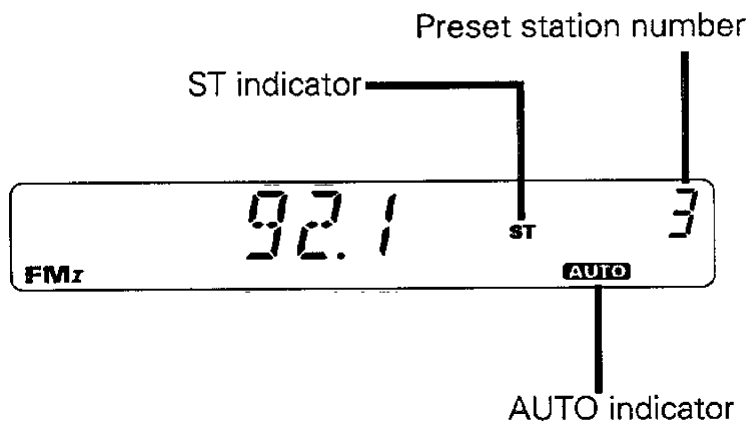
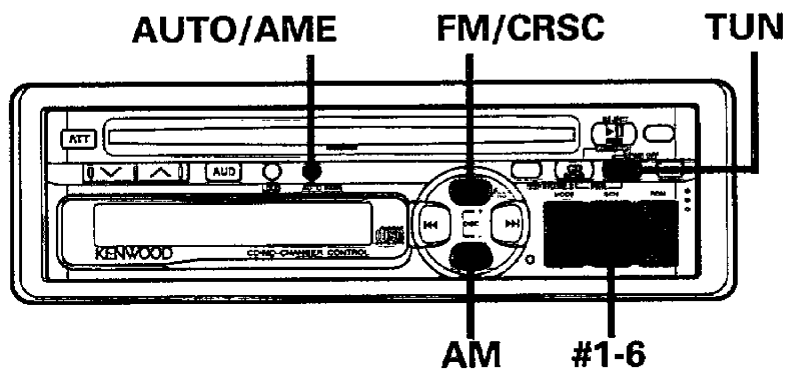
CD Mode

- **Number buttons**
Used to specify the track number used in direct track searches.
- **TRACK buttons**
Press the **◀◀** button to search through the tracks backward.
Press the **▶▶** button to search through the tracks forward.
- **▶/|| button**
Plays the CD. When a CD is playing, this button pauses the play.

Disc Changer Mode

- **Number buttons**
Used to specify the track (disc) number used in direct track (disc) searches.
- **TRACK buttons**
Press the **◀◀** button to search through the tracks backward.
Press the **▶▶** button to search through the tracks forward.
- **DISC buttons**
Press the **◀◀** button to search through the discs backward.
Press the **▶▶** button to search through the discs forward.
- **▶/|| button**
Plays the disc. When a disc is playing, this button pauses the play.

Tuner features



Tuning

- 1 Press the TUN button to turn the radio on.
- 2 Press either the FM or AM button to select the band. Each time you press the FM button, the band switches between FM1, FM2, and FM3 (which are used for groups of preset stations). Press the AM button to select the AM band.
- 3 Press the AUTO button to switch between auto seek tuning and manual tuning. The AUTO indicator lights up only when auto seek tuning is selected.
- 4
 - Auto Seek Tuning
Press the ►► button to seek higher frequencies.
Press the ◀◀ button to seek lower frequencies.
 - Manual Tuning
Press the ►► button to increase the frequency by one step.
Press the ◀◀ button to decrease the frequency by one step.

NOTE

The ST indicator lights up when stereo broadcasts are being received.

Station Preset Memory

Store the frequency of a station.

- 1 Select the band/frequency of the station that you want to have stored.
- 2 Press the button (#1-6) that you want to use for the station, for at least two seconds. The button number blinks once in the display to indicate that the data has been stored.

Recalling a Preset Station:

Press the preset station button (#1-6) for the desired station. The number of the recalled station is displayed.

NOTE

You can store six stations in each of the FM1, FM2, FM3, and AM bands.

Auto Memory Entry

Automatically store the receivable stations in the area.

- 1 Select the band for which you want to store stations.
- 2 Press the AME button for at least two seconds to start auto memory entry. The numbers of the preset station buttons are shown in order. When all the stations in a certain band are stored in the preset memory, the auto memory entry stops. The tuner then plays the last station received.

Recalling a Preset Station:

Press the preset station button (#1-6) for the desired station. The number of the recalled station is displayed.

Clean Reception System Circuit (CRSC)

Temporarily have reception switched from stereo to mono to reduce multi-path noise when listening to the FM station.

Turning CRSC On/Off:

Press the CRSC button for at least one second to turn the function on/off. "CRSC ON" is displayed when CRSC is on. The factory default for this function is ON.

NOTE

Strong electrical fields (such as from power lines) may cause unstable sound quality when CRSC is turned on. In such a situation, turn it off.

Function of the KDC-PS905

Frequency Step Setting

Switch the frequency step used in seeks. The factory defaults are 200 kHz for FM and 10 kHz for AM.

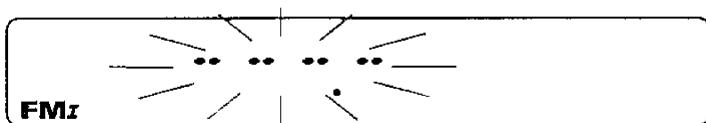
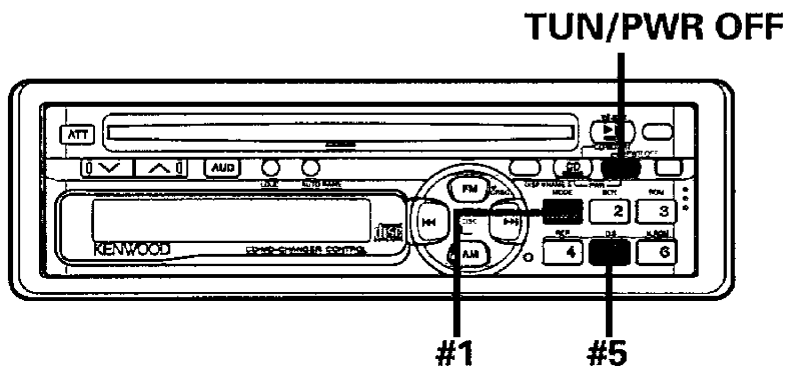
- 1 Turn the power off.
- 2 While pressing buttons #1 and #5 at the same time, press the TUN button.
The frequency step settings will be changed to 50 kHz for FM and 9 kHz for AM.

NOTE

When you change the frequency step settings, all memory contents will be erased.

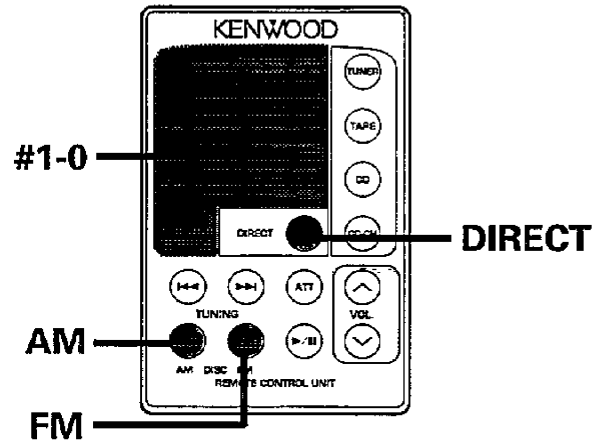
Returning Frequency Step Settings to Original Values:

Repeat steps 1 and 2 above.



Function of remote

Direct Access Tuning



Use the remote to select frequencies directly.

- 1** Select the band by pressing the FM or AM button.
- 2** Press the DIRECT button.
In the display, "—" blinks for 10 seconds.
If you make no input in the 10-second period, direct access tuning is automatically canceled.
- 3** Enter the frequency of the desired station while the display is blinking.
If you want to listen to an FM station at 92.1 MHz, for example, press 0, 9, 2, and 1.
If you want to listen to an AM station at 810 kHz, for example, press 0, 8, 1, and 0.

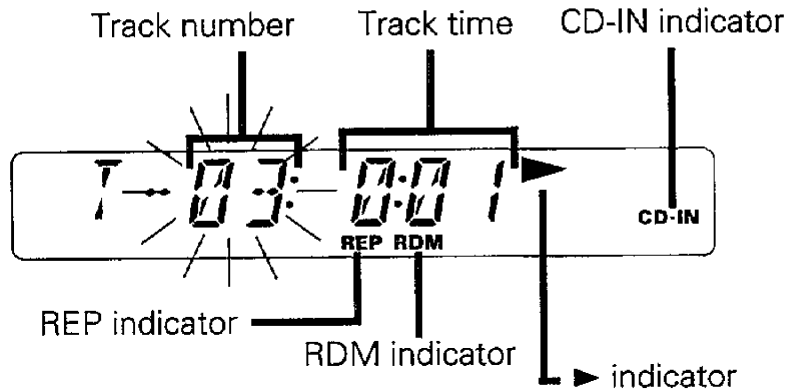
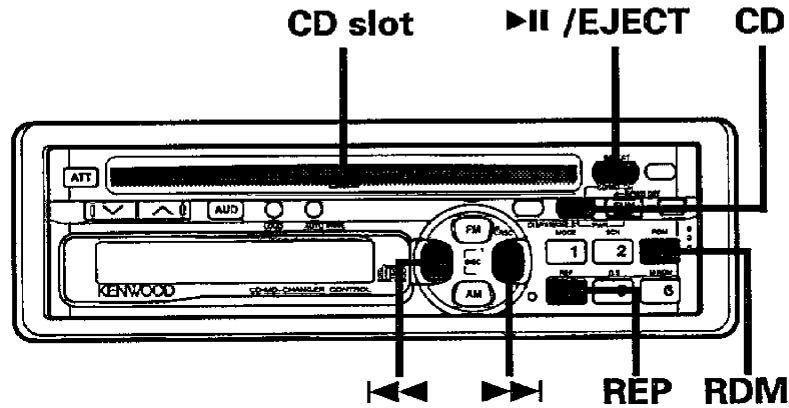
NOTE

- When a frequency which cannot be received is input, this frequency is not verified and operation returns to the original frequency input mode.
- FM frequencies can only be input in 0.1 MHz steps, and not 0.01 steps.

Canceling Direct Access Tuning:

Press the DIRECT button again.

CD player features



Playing CDs

Playing CDs:

If no CDs are inserted, insert one in the slot with the label facing up.
If a CD is already inserted, press the CD button repeatedly to select "CD".
The CD-IN indicator lights up when a CD has been inserted.
The ▶ indicator lights up when a CD is being played.

Pausing and Restarting CD Play:

Press the ▶|| button to make the disc pause.
Press the same button again to start play again.

Stopping and Ejecting CDs:

Press the EJECT button for at least one second.
The CD stops playing and ejects from the slot.

CAUTION

- Do not attempt to insert a CD into the slot if another one is already there.
- The unit can only play 5 in. CDs. If you insert a 3 in. CD, it will get stuck inside and can cause the unit to malfunction.
- Do not use CDs that are colored or dirty on the recorded side (the side opposite the label). They may cause malfunction, with the CD not being able to be inserted or ejected.

NOTE

When you load a CD and eject it right away, the next time you try to insert the CD may not load. In such a situation, take the CD out for a moment and then reinsert it.

Fast Forwarding and Reversing Disc Play

Fast Forwarding Disc Play:

Hold down on the ►► button.
Release your finger to play the disc at that point.

Reversing Disc Play:

Hold down on the ◀◀ button.
Release your finger to play the disc at the point.

Track Search

Search forward or backward through the tracks on the disc until you reach the one that you want to listen to.

Making a Reverse Track Search:

Press the ◀◀ button to display the desired track number.
Press once to search back to the beginning of the current track, twice to search back to the beginning of the previous track, and so forth.
Play starts at the beginning of the displayed track number.

Making a Forward Track Search:

Press the ►► button to display the desired track number.
Press once to fast forward to the next track, twice to fast forward to the track after that, and so forth.
Play starts at the beginning of the displayed track number.

Track Repeat

Repeat playing the track currently being listened to.

Turning Repeat Play On/Off:

Press the REP button to switch repeat play on and off.
The REP indicator lights up when repeat play is turned on.

NOTE

Repeat play is canceled when you stop playing the disc.

Random Play

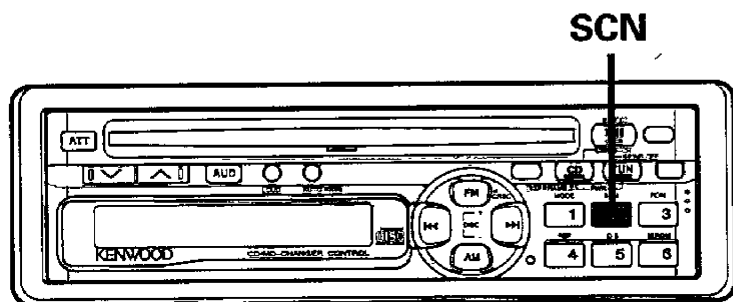
Play all the tracks on the current disc in random order.

- 1** Press the RDM button to switch random play on and off.
The RDM indicator lights up when random play is turned on.
The track number will change over and over in the display as the next track is being selected.
When the track has been selected, play will begin.
The selected track number blinks in the display as it is being played.
- 2** To change the track being heard, press the ►► button.
Another track will be selected and played.

NOTE

Random play is canceled when you stop playing a disc.

CD player features



Track Scan

Successively play the beginning of each track on a disc until you find the track that you want to listen to.

Turning Track Scan On/Off:

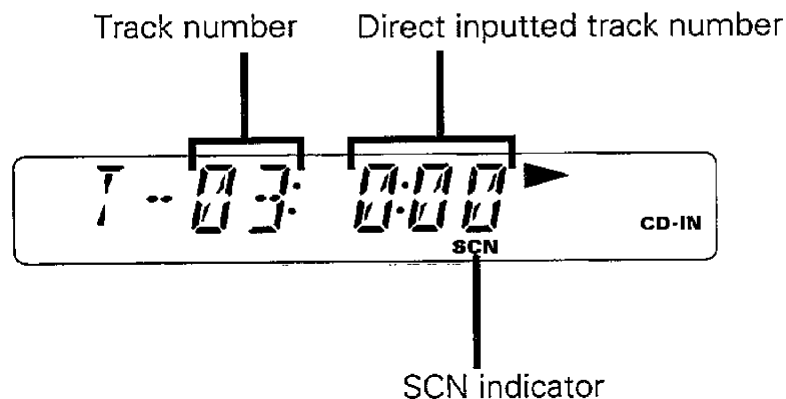
Press the SCN button to switch track scan on and off. The SCN indicator lights up when track scan is turned on. The first 10 seconds of each track will be played, in order. The track number currently being heard blinks in the display.

Stopping to Listen to the Track Being Scanned:

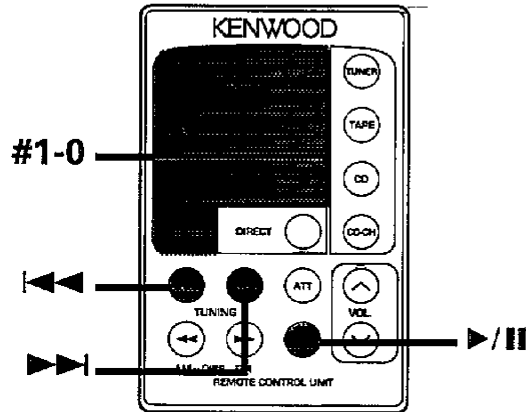
Press the SCN button again to stop the scan and keep on listening to a track normally.

NOTE

- Track scan is canceled when you stop playing a disc.
- Track scan only scans each track on a disc once.



Direct Track Search



Using the remote, directly input the track number that you want to listen to.

- 1** Using the number buttons on the remote, input the number of the track that you want to listen to. The selected track number will blink in the display for 10 seconds. If you make no further input in the 10-second period, the number entry mode will automatically be canceled.
- 2** Press either the ◀◀ or ▶▶ button while the track number is blinking. The track starts playing.

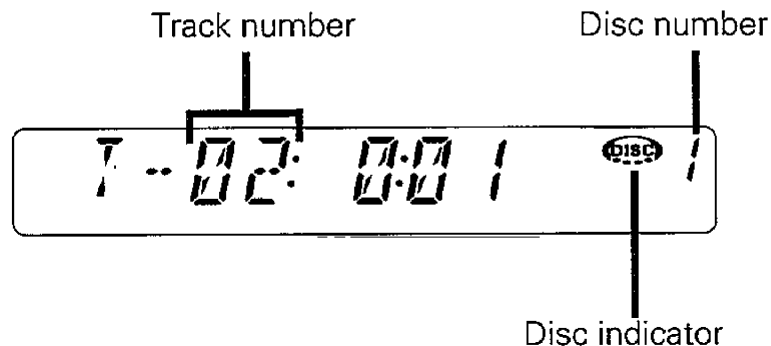
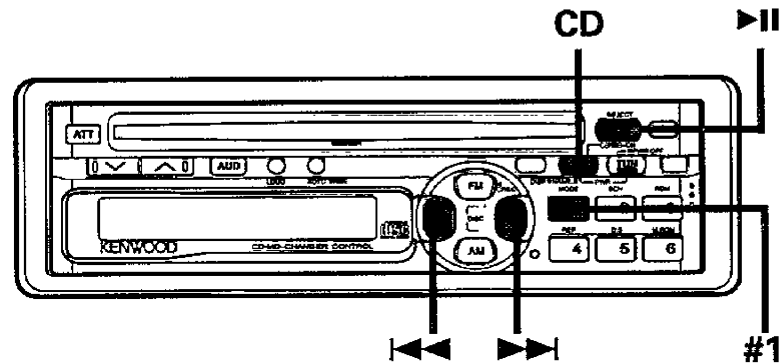
Canceling Direct Track Search While It Is Operating:

Press the ▶/|| button.

NOTE

You cannot use the direct track search function while doing track scans or using random play.

Disc changer control features



Playing Discs Using a Disc Changer

Playing Discs:

Press the CD button repeatedly to select the disc changer mode.

"DISC" is displayed when the unit is in the disc changer mode.

The disc indicator lights up during disc changer mode.

When one disc has finished playing its last track, the next disc in the changer will start playing. When the last disc in the changer has finished, the player will return to the first disc and start playing it.

Disc #10 is displayed as "0".

NOTE

- The KCA-S200, which is sold separately, must be installed when two disc changers are connected.
- When two disc changers are connected to the unit, the disc changer mode is split into two modes: disc changer mode 1 and disc changer mode 2.

Pausing and Restarting Disc Play:

Press the ▶|| button to make the disc pause.

Press the same button again to start play again.

Fast Forwarding and Reversing Disc Play

Fast Forwarding Disc Play:

Hold down on the ►► button.
Release your finger to play the disc at that point.

Reversing Disc Play:

Hold down on the ◀◀ button.
Release your finger to play the disc at the point.

NOTE

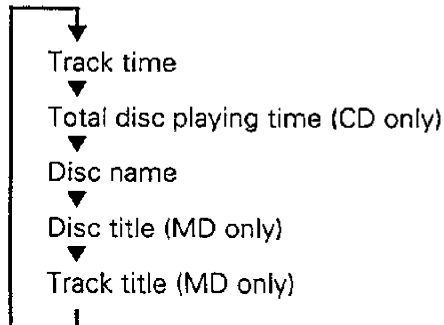
You cannot use reverse play between tracks when listening to an MD on the MD changer. Instead, the reverse play function is canceled when it reaches the beginning of a track, at which point normal play will automatically resume.

Switching Display for Discs

Switch the display that appears while discs are playing.

Switching Display for Discs:

Each time you press button #1, the display during disc play switches as follows:



NOTE

- You can give names to discs through the presetting disc name function (see p.32).
- If you try to display the name of a disc that doesn't have one, "NO NAME" is displayed instead.

Track Search

Search forward or backward through the tracks on the disc until you reach the one that you want to listen to.

Making a Reverse Track Search:

Press the ◀◀ button to display the desired track number.
Press once to search back to the beginning of the current track, twice to search back to the beginning of the previous track, and so forth.
Play starts at the beginning of the displayed track number.

NOTE

Pressing the ◀◀ button while listening to track #1 will only search back to the beginning of that track. The reverse search is not "recycled" to the last track on the disc.

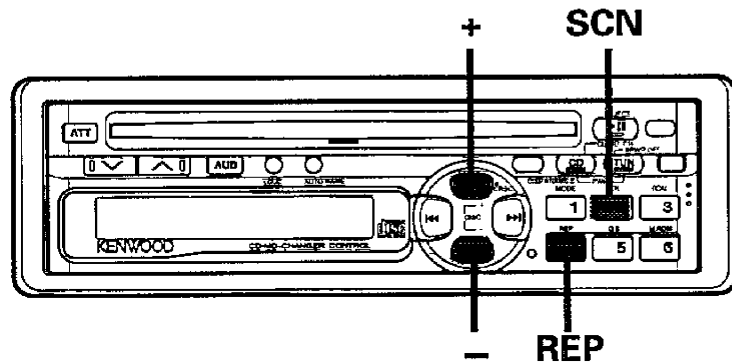
Making a Forward Track Search:

Press the ►► button to display the desired track number.
Press once to fast forward to the next track, twice to fast forward to the track after that, and so forth.
Play starts at the beginning of the displayed track number.

NOTE

You cannot make a forward track search when listening to the last track on a disc.

Disc changer control features



Disc Search

Search forward or backward through the discs in a disc changer.

Making a Reverse Disc Search:

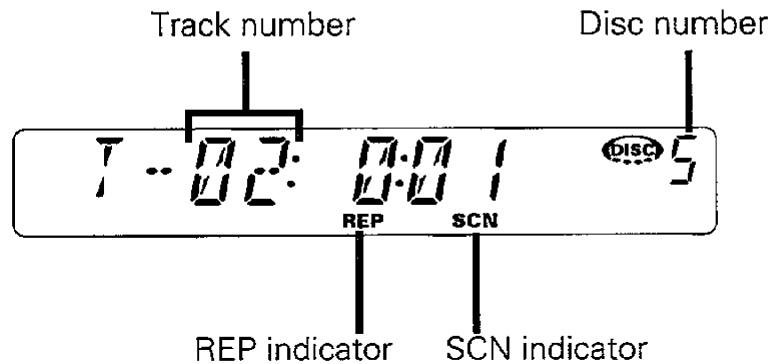
Press the - button to display the desired disc number. Each time the button is pressed, the displayed disc number decreases by one. Play starts at the beginning of the displayed disc.

Making a Forward Disc Search:

Press the + button to display the desired disc number. Each time the button is pressed, the displayed disc number increases by one. Play starts at the beginning of the displayed disc.

NOTE

"LOAD" is displayed when discs are being exchanged on the disc changer.

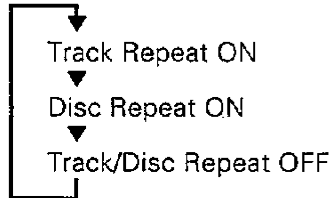


Track / Disc Repeat

Repeat playing the track or the disc currently being listened to.

Turning Repeat Play On/Off:

Press the REP button to switch repeat track/disc play on and off as follows:



The REP indicator lights up when repeat play is turned on. The track number blinks in the display when track repeat is on. The disc number blinks in the display when disc repeat is on.

NOTE

Repeat play is canceled when you stop playing the disc.

Track Scan

Successively play the beginning of each track on a disc until you find the track that you want to listen to.

Turning Track Scan On/Off:

Press the SCN button to switch track scan on and off. The SCN indicator lights up when track scan is turned on. The first 10 seconds of each track will be played, in order. The track number currently being heard blinks in the display.

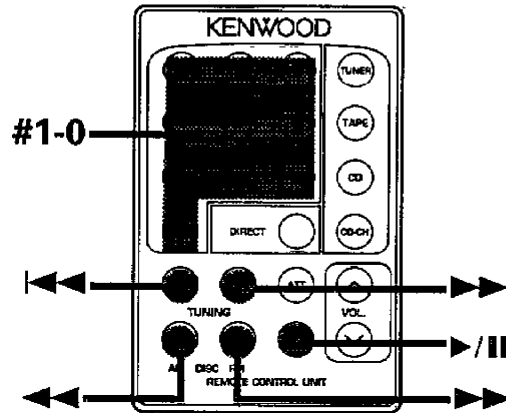
Stopping to Listen to the Track Being Scanned:

Press the SCN button again to stop the scan and keep on listening to a track normally.

NOTE

- Track scan is canceled when you stop playing a disc.
- Track scan only scans each track on a disc once.

Disc changer control features



Direct Track Search

Using the remote, directly input the track number that you want to listen to.

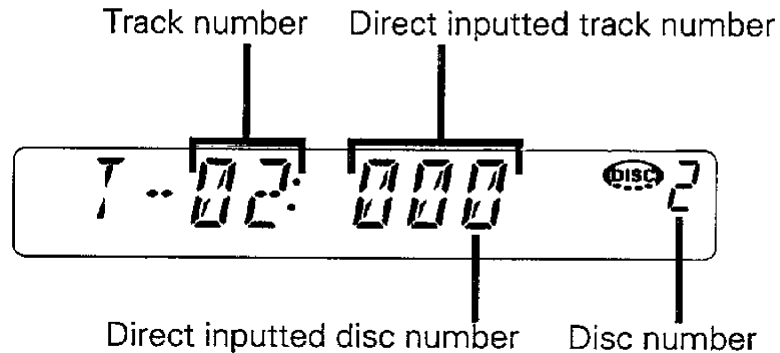
- 1 Using the number buttons on the remote, input the number of the track that you want to listen to. The selected track number will blink in the display for 10 seconds. If you make no further input in the 10-second period, the number entry mode will automatically be canceled.
- 2 Press either the ◀◀ or ▶▶ button while the track number is blinking. The track starts playing.

Canceling Direct Track Search While It Is Operating:

Press the ▶/|| button.

NOTE

You cannot use the direct track search function while doing track or disc scans or using random or magazine-random play.



Direct Disc Search

Using the remote, directly input the disc number that you want to listen to.

- 1** Using the number buttons on the remote, input the number of the disc that you want to listen to.
The selected disc number will blink in the display for 10 seconds.
If you make no further input in the 10-second period, the number entry mode will automatically be canceled.

NOTE

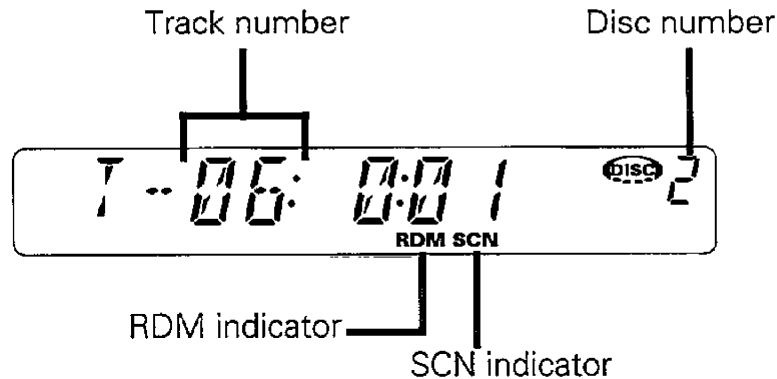
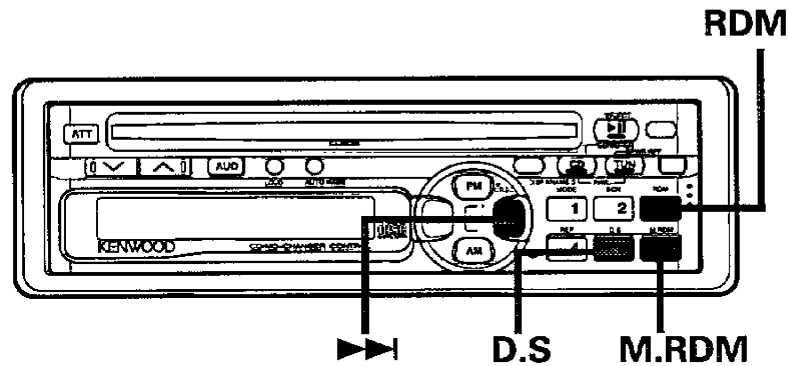
- Input "0" to select disc #10.
- If you input more than two numbers all at once, a search will be made only of the last number input.

- 2** Press either the ◀◀ or ▶▶ button while the number inputted is blinking.
The disc starts playing.

Canceling Direct Disc Search While It Is Operating:

Press the ▶/II button.

Disc changer control features



Disc Scan

Successively play the beginning of each disc on a changer until you find the one that you want to listen to.

Turning Disc Scan On/Off:

Press the D.S button to switch disc scan on and off. The SCN indicator lights up when disc scan is turned on. The first 10 seconds of each disc will be played, in the order they are loaded on the changer. The disc number currently being heard blinks in the display.

Stopping to Listen to the Disc Being Scanned:

Press the D.S button again to stop the scan and keep on listening to the disc normally.

NOTE

- Disc scan is canceled when you stop playing a disc.
- Disc scan only scans each disc on the changer once.
- "LOAD" is displayed when discs are being exchanged on the disc changer.

Random Play

Play all the tracks on the current disc in random order.

- 1** Press the RDM button to switch random play on and off. The RDM indicator lights up when random play is turned on. The track number will change over and over in the display as the next track is being selected. When the track has been selected, play will begin. The selected track number blinks in the display as it is being played.

NOTE

When all the tracks on a certain disc have been played using random play, the next disc on the changer will start playing using the same function.

- 2** To change the track being heard, press the ►► button. Another track will be selected and played.

NOTE

Random play is canceled when you stop playing a disc.

Magazine Random Play

Play the tracks on all the discs in the disc changer in random order.

- 1** Press the M.RDM button to switch magazine random play on and off. The RDM indicator lights up when magazine random play is turned on. The disc and track numbers will change over and over in the display as the next track is being selected. When the disc/track has been selected, play will begin. The selected disc/ track number blinks in the display as it is being played.

NOTE

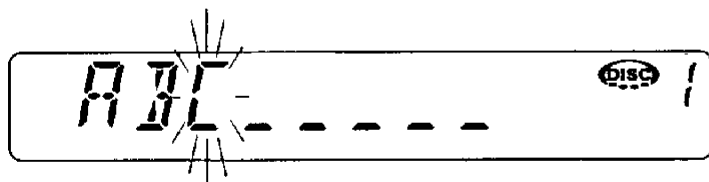
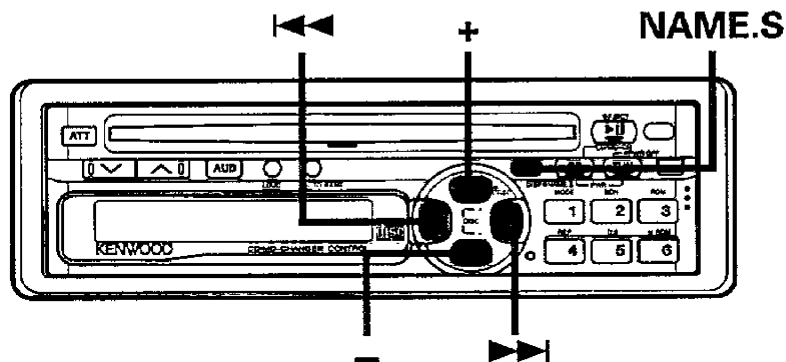
This function is not available with the following models:
KDC-C200/C300/C400/C301/C401

- 2** To change the track being heard, press the ►► button. Another disc/track will be selected and played.

NOTE

- Magazine random play is canceled when you stop playing a disc.
- The time needed for random selection depends on the number of discs loaded in the disc magazine.

Disc changer control features



Presetting Disc Names

Store the names of discs to be displayed when played.

- 1 Play the disc whose name you want to preset.

NOTE

- This function is available when one of the following disc changers is connected to your unit:
C705i, KDC-C803, KMD-C80, KDC-C604
- This procedure is not to be used to store the disc and track titles for MDs that you record.

- 2 Press the NAME.S button for at least two seconds. "NAME SET" is displayed and the disc name preset mode is entered. The cursor blinks in the position where character input can be made.

- 3 If the cursor is in the correct position, go to step 4. If not, press either the ◀◀ or ▶▶ button to move the cursor to the desired character input position. The ◀◀ button moves the cursor to the left and the ▶▶ button moves it to the right.

- 4 Press the + or - button to display the desired character.

- 5 Continue steps 3 and 4 until all the characters are chosen for the name.

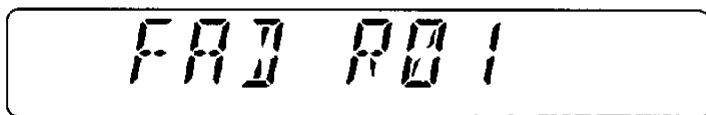
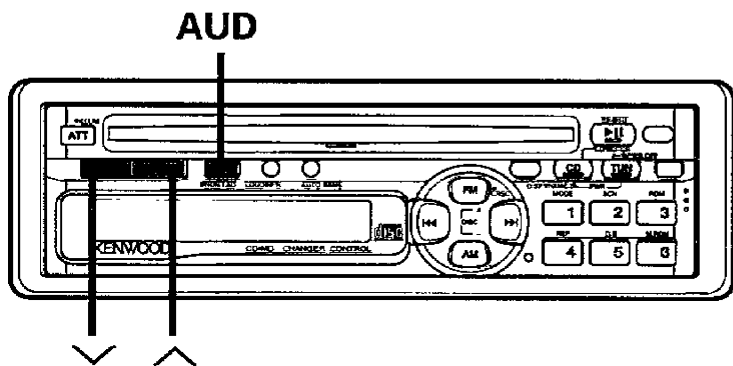
NOTE

- You can enter up to eight characters for each name.
- Besides the alphabet (capital letters only) and numbers, you can choose the following characters: [], /, +, -, *, =, <, and >.

- 6** Press the NAME.S button again to finish name entry and leave name preset mode.
The disc name is stored and the disc name preset mode is canceled.
If you make no entry in a 10-second period, the name will be stored with the characters input so far.

NOTE

- With the CD changer, you can only store names for up to 100 CDs (30 for KDC-C604), and with the MD changer, you can only store names for up to 30 MDs. If you store the name for a 101th CD or 31st MD, the first name stored for the type of disc will be erased automatically.
- Discs are identified by their total length and number of tracks. If another disc happens to have the same specifications as one that you have already stored a name for, the name will be displayed for it, too.
- If you want to change the name of a disc, repeat steps 1 and 2 to display the name, and then repeat steps 3 and 4 to input the changes.
- Pressing the reset button does not erase the disc names stored in a disc changer.



Audio Control Setting

Adjust various parameters of sound quality.

- 1 Press the AUD button to enter the control mode.
Each time the AUD button is pressed, the adjustment mode display changes as follows:
▶ Bass ▶ Treble ▶ Balance ▶ Fader
Volume ◀ N-F Level (KDC-8005 : only when being switched) ◀
If you do not move to step 2 in five seconds, the unit will switch back to the volume adjustment mode (that is the normal mode).

NOTE Source tone memory

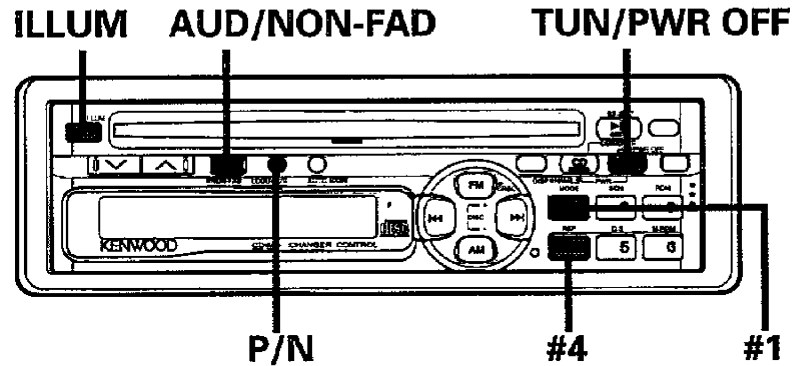
Each source has its own memory in which to store the bass and treble tone settings.
The settings made for a particular source are recalled automatically whenever you use that source (for example, disc mode uses the tone settings made for disc, FM for FM, etc.).

- 2 Press the ∨/∧ buttons to adjust the mode shown in the display.
Adjust each mode according to the table on p.35.

Adjustment mode (Display)	Operation of Audio control button	
	∨ button	∧ button
Bass ("BAS")	Bass decreased	Bass increased
Treble ("TRE")	Treble decreased	Treble increased
Balance ("BAL")	Left channel emphasized	Right channel emphasized
Fader ("FAD")	Rear channel increased	Front channel increased
Non-Fading Preout Level ("NF") (KDC-8005/PS905 only)	Non-fading sound is reduced	Non-fading sound adjusted to same volume as front and rear channels (including pre-out)

NOTE KDC-7005/6005

The balance of the non-fading sound cannot be adjusted.



Function of the KDC-7005

Selectable Illumination

Select the colors used to illuminate the display.

Switching the illumination:

Press the ILLUM button for at least one second to switch between amber and green.

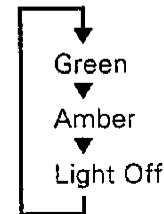
Function of the KDC-8005/PS905

Selectable Illumination

Make the settings for the display illumination.

Switching the illumination:

Press the ILLUM button for at least one second to switch the illumination setting as follows:



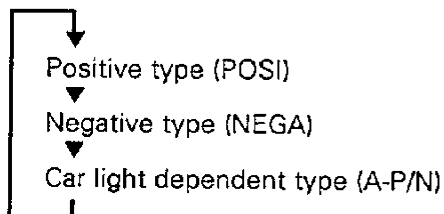
Function of the KDC-8005/7005/PS905

Display Type

Switch the display between negative and positive.

Switching Display:

Press the P/N button for at least one second to switch the illumination setting as follows:



When you select the car light dependent type, negative will be chosen when the car lights are turned on, and positive when the lights are turned off.

The factory default is car light dependent.

NOTE (KDC-8005 only)

When the preout is switched to non-fading, the volume can be adjusted separately (see p. 34).

Turning non-fading output On/Off (KDC-8005 only):

Hold down the NON-FAD button at least one second to set the function ON or OFF.

"NF ON" is displayed when the non-fading output is set ON.

NOTE

If the preout is switched to non-fading, the non-fading preout is automatically set ON.

Function of the KDC-8005/7005/6005

Non-fading Preout

Switch the front preout to non-fading.

Switching preout:

- 1** Turn off the power.
- 2** While pressing buttons #1 and #4 at the same time, press the TUN button to switch the preout to non-fading. "NON-FAD" is displayed when non-fading is selected. When non-fading is selected, the high-path filter is automatically applied to the speaker output.

Repeat steps 1 and 2 to switch back to front preout.

Function of the KDC-PS905

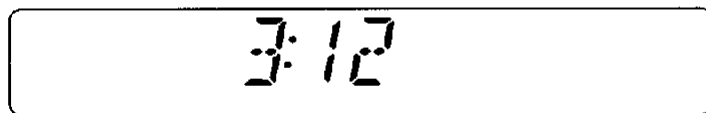
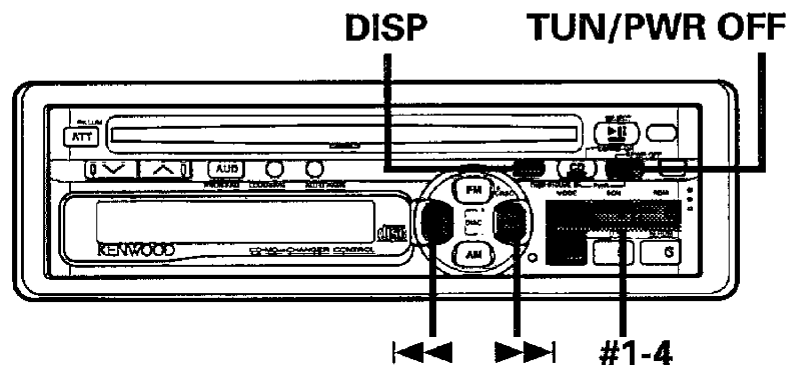
Non-fading Preout

The non-fading sound output can be set to either ON or OFF.

Turning non-fading output On/Off:

Hold down the NON-FAD button at least one second to set the function ON or OFF.

"NF ON" is displayed when the non-fading output is set ON.



Clock Display

Displays the time.

Switching to Time Display:

Press the DISP button to display the time.

Adjusting Time

Adjust the time.

- 1 When the time is not displayed, first press the DISP button to display the time.
- 2 While holding down the DISP button, press the ◀◀ or ▶▶ buttons to adjust the time. The ◀◀ button adjusts the hour and the ▶▶ button adjusts the minutes.

Disabled System Indicator (DSI)

A red indicator will blink on the unit after the faceplate is removed, warning potential thieves. The factory default for this function is ON.

Canceling DSI:

- 1 Turn the power of the unit off.
- 2 While pressing buttons #1 and #3 at the same time, press the TUN button.

Repeat steps 1 and 2 above to turn DSI back on.

Function of the KDC-PS905

Output Voltage Selection

The preout level can be switched to either 3.5V or 5V.

- 1** Turn the power of this unit OFF.
- 2** While pressing the #2 and #4 buttons, press the TUN button. The preout level switches to 3.5V.

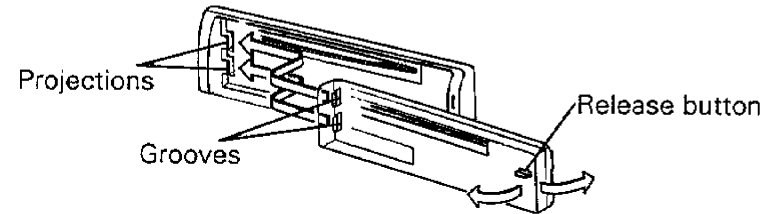
Returning to the original preout level:

Repeat steps 1 and 2.

The preout level returns to 5V.

Theft Deterrent Faceplate

The faceplate of the unit can be detached and taken with you, helping to deter theft.



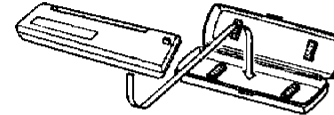
Removing the Faceplate:

Press the release button.

The faceplate is unlocked, allowing you to detach it.

NOTE

- The faceplate is a precision piece of equipment and can be damaged by shocks or jolts. For that reason, keep the faceplate in its special storage case while detached.

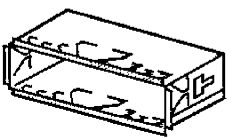

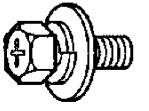
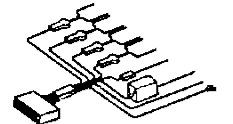

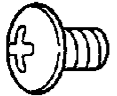
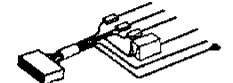

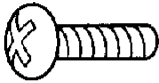


- Do not expose the faceplate or its storage case to direct sunlight or excessive heat or humidity. Also avoid places with too much dust or the possibility of water splashing.

Reattaching the Faceplate:

- 1** Align the projections on the unit with the grooves on the faceplate.
- 2** Push the faceplate in until it clicks. The faceplate is locked in place, allowing you to use the unit.

Accessories

External view	Part name	Number of items	External view	Part name	Number of items	External view	Part name	Number of items
	Mounting sleeves	1		Removal tool	2		Hex-head machine screw with washer (M4 x 8 mm)	1
	Wiring harness (For KDC-8005/7005/6005)	1		Phillips flush head self tapping screw (ø5 x 8 mm)	4		Phillips truss head self tapping screw (ø5 x 8 mm)	4
	Wiring harness (For KDC-PS905)	1		Metal mounting strap	1		Phillips pan head screw (ø4 x 16 mm)	1

CAUTION

Do not use any accessories other than those provided with your unit. If you use other accessories, you may damage the unit.

Installation Procedure

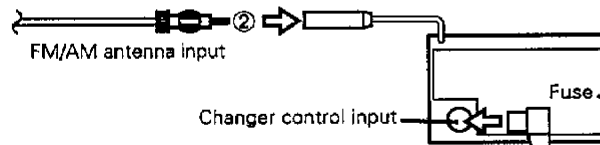
1. To prevent a short circuit, remove the key from the ignition and disconnect the ⊖ battery.
2. Make the proper input and output wire connections for each unit.
3. Connect the speaker wires of the wiring harness.
4. Connect the wiring harness wires in the following order: ground, battery, ignition.
5. Connect the wiring harness connector to the unit.
6. Install the unit in your car.
7. Reconnect the ⊖ battery.
8. Press the reset button.

CAUTION

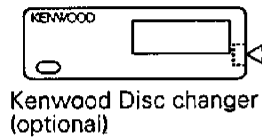
- If your car's ignition does not have an ACC position, connect the ignition wires to a power source that can be turned on and off with the ignition key. If you connect the ignition wire to a power source with a constant voltage supply, as with battery wires, the battery may die.
- If the console has a lid, make sure to install the unit so that the cover will not hit the lid when closing and opening.
- If the fuse blows, first make sure the wires aren't touching to cause a short circuit, then replace the old fuse with one with the same rating.
- Do not let unconnected wires or terminals touch metal on the car or anything else conducting electricity. To prevent a short circuit, do not remove the caps on the ends of the unconnected wires or the terminals.
- Connect the speaker wires correctly to the terminals to which they correspond. The unit may be damaged or fail to work if you share the ⊖ wires or ground them to any metal part in the car.
- After the unit is installed, check whether the brake lamps, blinkers, wipers, etc. on the car are working properly.
- Some disc changers need conversion cords for connection. See the section on "Safety Precautions" for details.
- Insulate unconnected wires with vinyl tape or other similar material.

Connecting Wires to Terminals (KDC-PS905)

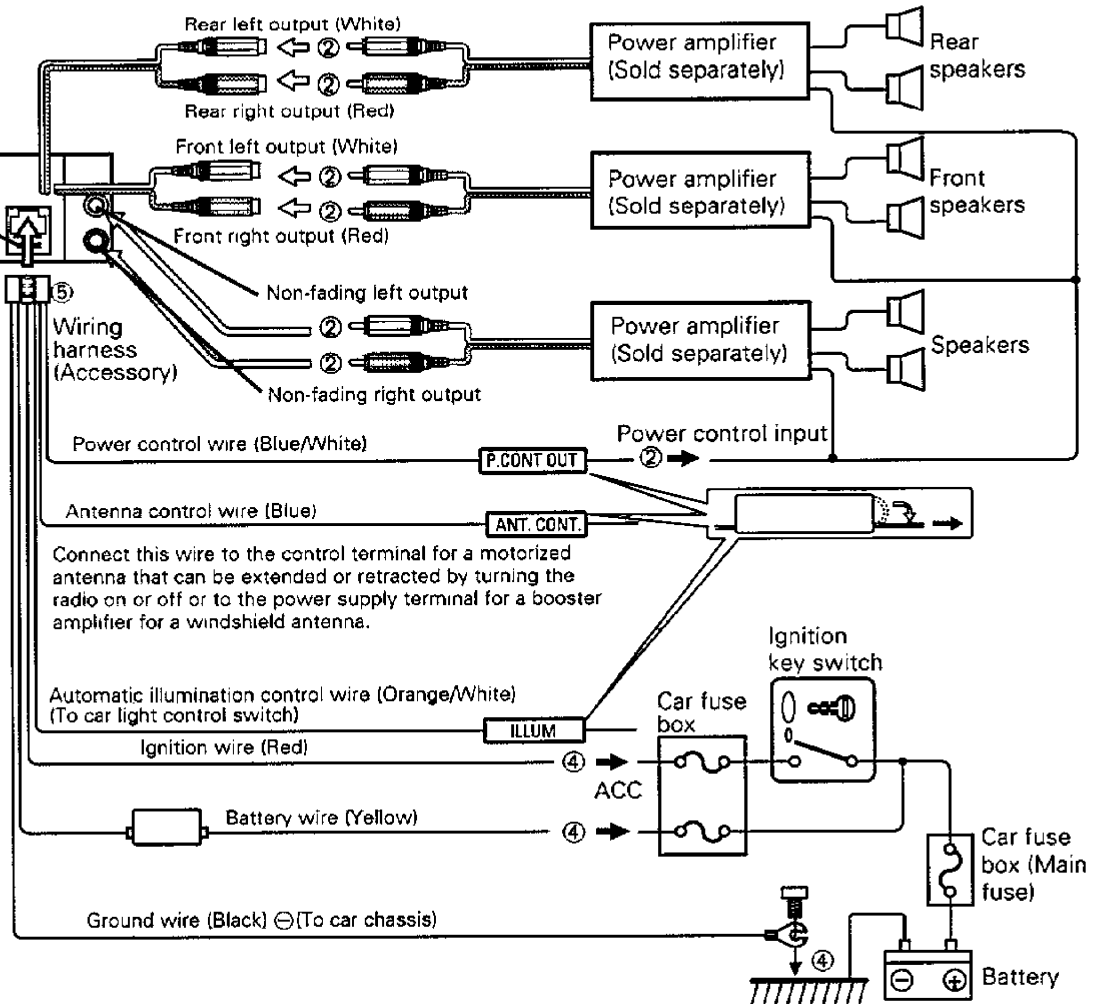
NOTE Circled numbers indicate the steps described in the installation procedure.



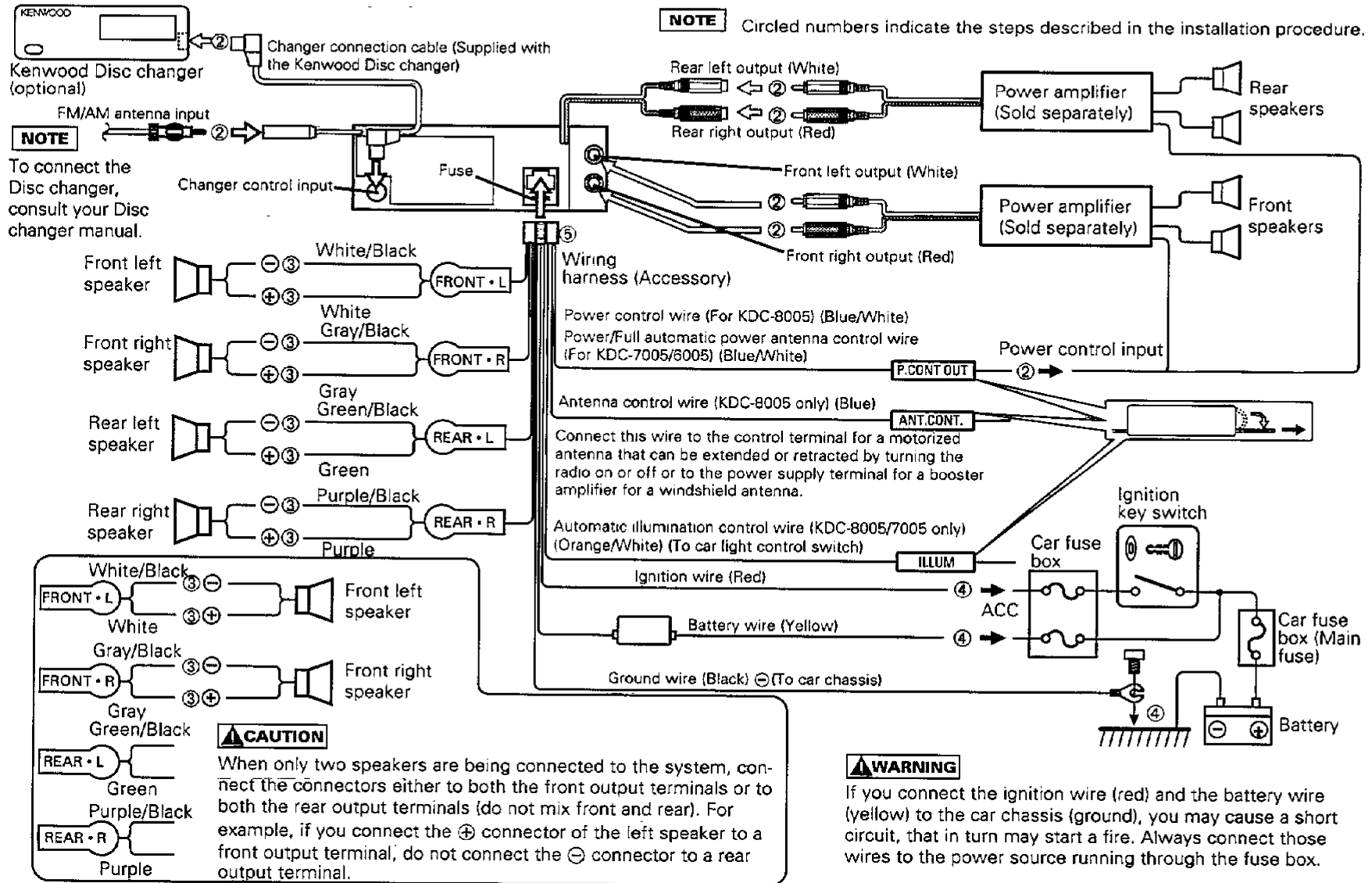
NOTE
To connect the Disc changer, consult your Disc changer manual.



WARNING
If you connect the ignition wire (red) and the battery wire (yellow) to the car chassis (ground), you may cause a short circuit, that in turn may start a fire. Always connect those wires to the power source running through the fuse box.

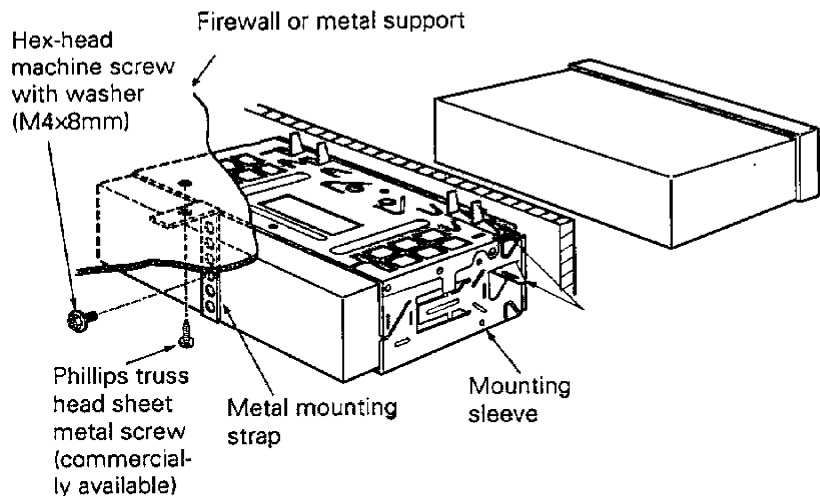


Connecting Wires to Terminals (KDC-8005/7005/6005)



Installation

■ Installation

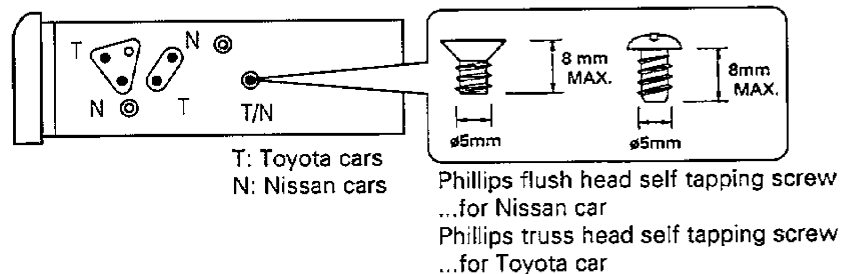


NOTE

Make sure that the unit is installed securely in place. If the unit is unstable, it may malfunction (for example, the sound may skip).

■ Installing in Japanese-Made Cars

- 1 Refer to the section "Removing the hard rubber frame" and then remove the hard rubber frame.
- 2 Align the holes in the unit (two locations on each side) with the vehicle mounting bracket and secure the unit with the accessory screws.

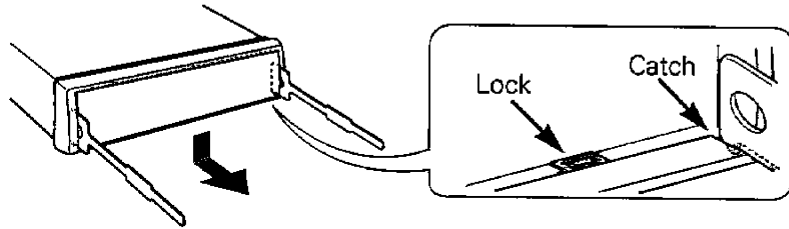


CAUTION

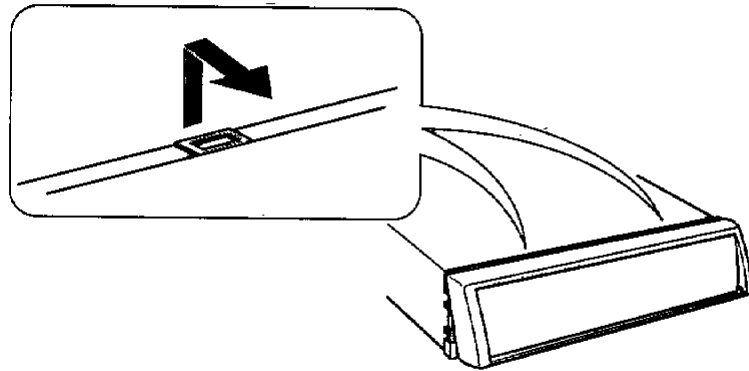
- Do not use your own screws. Use only the screws provided. If you use the wrong screws, you could damage the unit.
- Damage may occur if a screwdriver or similar tool is used with excessive force during the installations.

■ Removing the hard rubber frame

- 1 Engage the catch pins on the removal tool and remove the two locks on the lower level.
Lower the frame and pull it forward as shown in the figure.



- 2 When the lower level is removed, remove the upper two locations.



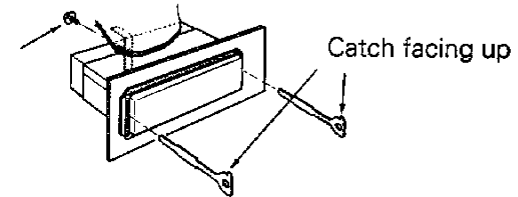
NOTE

The frame can be removed from the top side in the same manner.

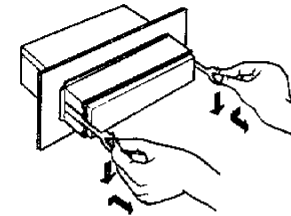
■ Removing the Unit

- 1 Refer to the section "Removing the hard rubber frame" and then remove the hard rubber frame.
- 2 Remove the hex head machine screw with washer (M4x8) on the back panel.
- 3 Insert the two removal tools deeply into the slots on each side, as shown.

Hex head machine screw with washer (M4x8)



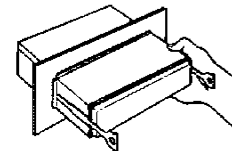
- 4 Lower the removal tool toward the bottom, and pull out the unit halfway while pressing towards the inside.



CAUTION

Be careful to avoid injury from the catch pins on the removal tool.

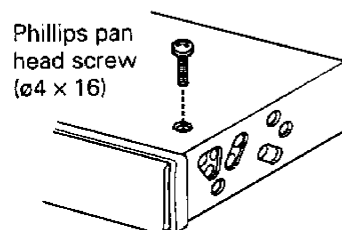
- 5 Pull the unit all the way out with your hands, being careful not to drop it.



Installation

■ *Screwing the Faceplate on the Unit*

If you want to fasten the faceplate to the main unit so that it does not fall off, insert the provided screw ($\varnothing 4 \times 16\text{mm}$) in the hole shown below.



⚠ CAUTION

Never insert the phillips pan head screw ($\varnothing 4 \times 16\text{mm}$) in any other screw hole than the one specified. If you insert it in another hole, it will contact and may cause damage to the mechanical parts inside the unit.

Troubleshooting Guide

What might seem to be a malfunction in your unit may just be the result of slight misoperation or miswiring. Before calling service, first check the following table for possible problems.

PROBLEM	POSSIBLE CAUSE	SOLUTION
The power does not turn on.	The fuse has blown.	After checking for short circuits in the wires, replace the fuse with one with the same rating.
No sound can be heard, or the volume is low.	The volume has been turned all the way down.	Turn up the volume.
	Attenuator is turned on.	Turn off Attenuator.
	The fader or balance settings are set all the way to one side.	Reset the fader or balance settings.
	The input/output wires or wiring harness are connected incorrectly.	Reconnect the input/output wires or the wiring harness correctly. See the section on "Connecting Wires to Terminals".
Nothing happens when the buttons are pressed.	The computer chip in the unit is not functioning normally.	Press the reset button on the unit (see p.5).
The sound quality is poor or distorted.	The volume is too high.	Turn down the volume.
	One of the speaker wires is being pinched by a screw in the car.	Check the speaker wiring.
	A speaker wire is being shared by two speakers.	Reconnect the speaker wires so that each output terminal is connected to a different speaker.
Radio reception is poor.	The car antenna is not extended.	Pull the antenna out all the way.
	The antenna control wire is not connected.	Connect the wire correctly, referring to the section on "Connecting Wires to Terminals".

Troubleshooting Guide

PROBLEM	POSSIBLE CAUSE	SOLUTION
The memory is erased when the ignition is turned off.	The battery wire has not been connected to the proper terminal.	Connect the wire correctly, referring to the section on "Connecting Wires to Terminals".
A CD cannot be loaded.	Another CD has already been loaded.	Eject the CD in the unit and load another.
A CD ejects as soon as it is loaded.	The CD is upside-down.	Load the CD with the labeled side up.
	The CD is quite dirty.	Clean the CD, referring to the section on "Cleaning CDs" (see p.7).
The sound skips on a CD.	The CD is scratched or dirty.	Clean the CD, referring to the section on "Cleaning CDs" (see p.7).
The sound quality of the CD is poor.	The sound recorded on the CD is itself poor.	Try another disc for comparison. If it is alright, the first disc was bad.
	The disc is scratched or dirty.	Clean the CD, referring to the section on "Cleaning CDs" (see p.7).
A track will not play.	Random play has been selected.	Turn off random play.

Disc Changer

PROBLEM	POSSIBLE CAUSE	SOLUTION
The disc changer mode cannot be selected.	No cable has been connected to the disc changer input terminal on the unit.	Connect the cable to the disc changer input terminal on the unit.
The disc does not play.	The power has not been turned on.	Turn the power on and select the disc changer mode.
The specified disc does not play, but another one plays instead.	The specified CD is quite dirty.	Clean the CD.
	The CD is upside-down.	Load the CD with the labeled side up.
	Two CDs are loaded in the same slot.	Eject the disc magazine and insert the CDs in two different slots.
	The disc is loaded in a different slot from that specified.	Eject the disc magazine and check the number for the specified disc.
	The disc is severely scratched.	Try another disc instead.
Vibrations cause the sound to skip.	Something is touching the disc changer.	Remove whatever is touching it.
	The CD is scratched or dirty.	If skipping happens at the same place when the car is stopped, something with the CD is wrong. Clean the CD.
The sound quality of the disc is poor.	The disc recording is poor.	Try another disc for comparison. If it is alright, the first disc was bad.
	The CD is scratched or dirty.	Clean the CD.
The display shows that the changer is being played, but no sound can be heard.	The volume has been turned all the way down.	Turn up the volume.
	The computer chip in the unit is not functioning normally.	Press the reset button on the unit (see p.5).
	The system has not been connected properly.	Connect the wires correctly, referring to the section on "Connecting Wires to Terminals".
The specified track will not play.	Random play or magazine random play has been selected.	Turn off random play or magazine random play.

Troubleshooting Guide

The following messages are displayed when certain problems are occurring in your system. Take the recommended actions.

- E-01 No disc magazine has been loaded in the changer. The disc magazine is not completely loaded.
⇒Load the disc magazine properly.
- E-02 No disc has been loaded in the disc magazine.
⇒Load a disc into the disc magazine.
- E-04 The CD is quite dirty. The CD is upside-down. The CD is scratched a lot.
⇒Clean the CD and load it correctly.
- E-10 Nothing has been recorded on the MD.
⇒The next MD will automatically be played.
- E-11 No tracks are recorded on the MD, although it has a title.
⇒The next MD will automatically be played.
- E-99 The unit is malfunctioning for some reason.
⇒Press the reset button on the unit. If the "E- 99" code does not disappear, consult your nearest service center.
- HOLD The protective circuit in the unit activates when the temperature inside the automatic disc changer exceeds 60°C (140°F), stopping all operation.
⇒Cool down the unit by opening the windows or turning on the air conditioner. As the temperature falls below 60°C (140°F), the disc will start playing again.

Specifications

Specifications subject to change without notice.

FM tuner section

Frequency range	
(200 kHz space)	87.9 MHz – 107.9 MHz
(50 kHz space : KDC-PS905)	87.5 MHz – 108.0 MHz
Usable sensitivity (S/N = 30dB)	9.3dBf (0.8 μ V/75 Ω)
50dB Quieting Sensitivity	15.2dBf (1.6 μ V/75 Ω)
Frequency response (\pm 3.0 dB)	30 Hz – 15 kHz
Signal to Noise ratio (MONO)	75 dB
Selectivity (\pm 400 kHz)	\geq 80 dB
Image Response Ratio	70 dB
IF Response Ratio	120 dB
Stereo separation (1 kHz)	40 dB

AM tuner section

Frequency range	
(10 kHz space)	530 kHz – 1700 kHz
(9 kHz space : KDC-PS905)	531 kHz – 1611 kHz
Usable sensitivity	28 dB (25 μ V)

CD player section

Laser diode	GaAlAs ($\lambda=780$ nm)
Digital filter (D/A)	8 Times Over Sampling
D/A Converter	1 Bit
Spindle speed	500 – 200 rpm (CLV)
Wow & Flutter	Below Measurable Limit
Frequency response (\pm 1 dB)	10 Hz – 20 kHz
Total harmonic distortion (1 kHz)	0.01 %
Signal to Noise ratio	
KDC-8005/7005/6005:	93 dB (1kHz)
KDC-PS905:	105 dB (1kHz)
Dynamic range	
KDC-8005/7005/6005:	93 dB
KDC-PS905:	105 dB
Channel separation	85 dB

Audio section

Maximum output power (KDC-8005/7005/6005 only)	35 W \times 4
Full bandwidth power (at less than 1% THD)	
(KDC-8005/7005/6005 only)	20 W \times 4
Tone action	
Bass:	100 Hz \pm 10 dB
Treble:	10 kHz \pm 10 dB
Preout level / Load	
KDC-8005/7005/6005:	1800 mV/10 k Ω
KDC-PS905:	3500/5000 mV/10 k Ω switchable
Preout impedance	
KDC-8005/7005/6005:	\leq 600 Ω
KDC-PS905:	90 Ω

General

Operating voltage	14.4 V (11 – 16 V allowable)
Current consumption	
KDC-8005/7005/6005:	10.0 A at Rated power
KDC-PS905:	5.0 A at Rated power
Installation size (W \times H \times D)	
KDC-8005/7005/6005:	182 \times 53 \times 164 mm 7-3/16 \times 2-1/16 \times 6-16/7 in.
KDC-PS905:	182 \times 53 \times 155 mm 7-3/16 \times 2-1/16 \times 6-1/8 in.
Weight	
KDC-8005/7005/6005:	3.3 Lbs (1.5 kg)
KDC-PS905:	3.1 Lbs (1.4 kg)

KENWOOD